



Primex Sensors

Primex TEMP Series Sensors

PrimexTEMP sensors completely eliminate the need for manual monitoring and data logging. With enhanced Wi-Fi communication and authentication protocols that meet today's stringent IT security policies, PrimexTEMP sensors seamlessly capture and document vital monitoring data primarily for the retail pharmacy, education and other food service preparation & storage industries. Sensors are delivered pre-configured to your network settings to be able to immediately access your network without complicated set-up. Paired with cloud-based OneVue monitoring software, PrimexTEMP sensors provide assurance that valuable temperature-sensitive assets throughout your facility are safely monitored to protect patients and meet CDC, FDA, TJC and other compliance regulations.

Greater Protection with a Sleek New Design

PrimexTEMP sensors continuously monitor critical temperatures to safeguard your valuable temperature-sensitive assets, and alert you when necessary. Flexible logging and reporting options capture and document conditions, PrimexTEMP sensors communicate with the OneVue cloud-based software to maintain complete temperature-monitoring documentation. Comprehensive monitoring reports are quickly and easily generated from any desktop or mobile device to demonstrate compliance to all authorities having jurisdiction.

PRIMEX TEMP SENSORS		
Battery	PoE	Description
T101Q	T101Q-E	Single Probe
T102Q	T102Q-E	Dual Probe

NIST-TRACEABLE TEMPERATURE PROBES	
Part No.	Description
T100SMRT	PrimexPROBE with CertiTrak
T100SRTD	Standard Probe
T100CRTD	Cryo Probe
T100CSMRT	PrimexPROBE Cryo with CertiTrak
Q13824-6	Probe Cable Extension 6' (1.8M)
Q13824-25	Probe Cable Extension 25' (7.6M)

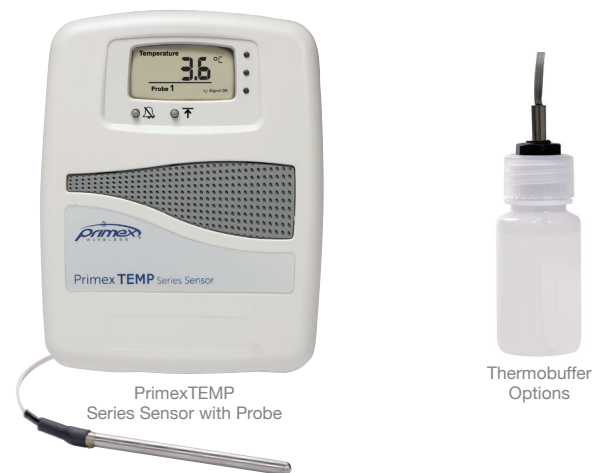
ACCESSORIES	
Part No.	Description
S100PWR	AC Adapter
Q13827	AC Adapter Extension 6' (1.8M)
SNS900	Battery Pack Replacement

THERMOBUFFERS

Whether protecting vaccines, food, medications or other temperature-sensitive materials, a thermobuffer will help provide a more consistent measurement of refrigerator conditions. Available in a choice of two styles, our thermobuffers simulate the actual temperature of refrigerated assets to minimize false sensor readings caused by opening the refrigerator door.

Product Features:

- Out of range conditions immediately trigger audible and visual local alarms as well as customized email, text and/or phone alerts.
 - 24/7 automated monitoring and alerting
- LCD display shows temperature readings and sensor diagnostics.
- Unlimited access to the OneVue cloud portal, including on-boarding support, project management, software maintenance and security updates
- FDA registered, 21 CFR Part 11 compliant
- All styles may be used with PrimexPROBES with CertiTrak™ and standard or extended range probes
- Available with three power options: Battery, AC or PoE. AC and PoE units have back-up batteries to protect data in case of power loss.



THERMOBUFFERS	
Part No.	Description
SMRTGRP-C	Solid Wax Based Thermobuffer (assembled with T100SMRT probe)
SMRTGRP-G	Glycol Thermobuffer (assembled with T100SMRT probe)
SNSGRP-C	Solid Wax Based Thermobuffer (assembled with T100SRTD probe)
SNSGRP-G	Glycol Thermobuffer (assembled with T100SRTD probe)
SNSGLY-1	1 Gallon Food Grade Glycol

PRIMEX TEMP SERIES SENSOR SPECIFICATIONS:

Certifications

- FDA registered, 21 CFR Part 11 compliant
- FCC, CE, and IC compliant

Power

- Low battery indicator
- Battery Power: 2 AA 1.5V batteries; use of Energizer® L91 Ultimate Lithium batteries recommended
- Estimated Battery Life: up to 18 months; assuming a 1-hour logging interval, 8-hour reporting interval and adequate wireless signal
- Optional AC-Power: 5V DC USB Mini B (5 pin) connector interface, 5 ft (1.5 m) cable, Input: 100-240 VAC, 50/60 Hz, 0.4A, Output: 5V, 1.0A max
- Optional Power Over Ethernet (PoE): Compliant with IEEE 802.3af standard

Wireless and Network Communication

- Wireless Networking Protocols: 802.11b, 11g, 11n single stream, 2.4 Ghz
- Wired Ethernet (optional) with Power Over Ethernet (PoE) models; 10/100Mbps Ethernet IEEE Standard 802.3
- Encryption Protocols: WEP, WPA, WPA2(AES and TKIP)
- Authentication Protocols: EAP-FAST, EAP-TLS, EAP-TTLS, PEAP-VO-MSCHAP, PEAP-V1-GTC
- Network Communication Protocols: Hypertext Transfer Protocol Secure (HTTPS)
- IP Addressing: Dynamic Host Configuration Protocol (DHCP), static IP addressing
- Data Packet Size: typically less than 5 kilobytes (kB)

Enclosure

- ABS plastic
- Dimension: 4.7" H x 3.7" W x 1.3" D (11.93cm x 9.39cm x 3.30cm)
- Weight: 0.3 lb (136 gram) with 2 AA batteries
- LED Status Indicator: green, yellow, red
- Two User Buttons: Local Alarm Silence Button, and Check-in Button for manual data transmission
- Mounting Options: Keyhole slot with lockdown screw holes in back panel for wall mount; or surface mount with supplied dual-lock adhesive mounting strips

Operation

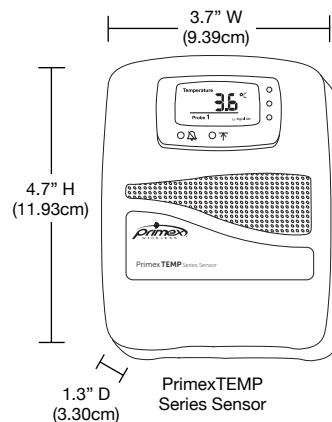
- Alerts: audio, visual LED, LCD display
- Audio Alert Reset Period: user-defined (indefinite, 15min, 30min, 1hr, 2hr, 3hr, 4hr)
- Configuration: Primex Device Configuration software
- Secure Data Wipe: factory reset function
- Stored Reading Capacity: 4096 readings
- Reporting and Logging Interval: user-defined (4min, 5min, 10min, 15min, 20min, 30min, 1hr, 2hr, 4hr, 8hr, 12hr)

Environment

- Operating Temperature: 32°F to 122°F (0°C to 50°C), indoor use only
- Storage Temperature: -4°F to 140°F (-20°C to 60°C)

PRIMEXTEMP SERIES PROBE SPECIFICATIONS:

	PrimexPROBE with CertiTrak	Standard RTD Probe	Extended Range Probe
Temperature Range	-40°F to 221 °F (-40 °C to 105 °C)	-40°F to 221 °F (-40 °C to 105 °C)	-328°F to 238°F (-200 °C to 150 °C)
Accuracy	± 1.0°F (0.5 °C)	± 1.0°F (0.5 °C)	± 1.0°F (0.5 °C)
Sheath Material	Stainless steel	Stainless steel	Stainless steel
Sheath Length	4" (10.1cm)	4" (10.1cm)	4" (10.1cm)
Sheath Diameter	1/4" (0.63cm)	1/4" (0.63cm)	1/4" (0.63cm)
Cable Properties	Ribbon	Ribbon	Nylon
Cable Length	6' (1.8m)	6' (1.8m)	6' (1.8m)



To Learn More:

Call 800.537.0464

Email: info@primexinc.com

primexinc.com



OneVue is a trademark of Primex. The innovative technology software solution for facility and time synchronization monitoring and reporting. All other trademarks are the property of their respective owners.

©2017 Primex. The Primex logo is a registered trademark of Primex. All Rights Reserved. 3.17