

Wireless Synchronized Time

Transmitters

1- Watt Transmitters

Primex transmitters use the accuracy of GPS satellite time to ensure all system clocks will show the correct time throughout your facility. The transmitters send time signals to system clocks using our proprietary 72MHz frequency – the best frequency to efficiently penetrate commercial building materials. Available in two configurations to meet the needs of your facility. For applications where more than one transmitter is required, a Satellite Repeater transmitter can be easily added to provide additional coverage.

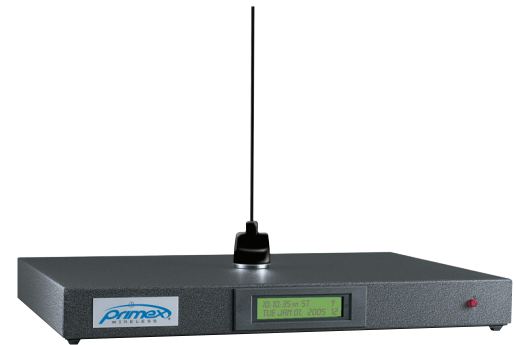


1-WATT TRANSMITTERS - INTERNAL ANTENNA

Ideal for single buildings or smaller applications, the 1-Watt Transmitters will cover 100,000 sq. ft. on average. Configured with an attached indoor antenna, they are easy to install to quickly create a wireless synchronized timekeeping environment.

TRANSMITTERS - INTERNAL ANTENNA	
Part Number	Description
14143	Primary Transmitter Package (Includes Transmitter, GPS Receiver, Rack, and UPS)
14000	Primary Transmitter with GPS Receiver
14144	Satellite Transmitter* Package
14006	Satellite Transmitter* with Receiver Switch

* Satellite Transmitter requires installation of a Transmitter and GPS Receiver to be able to receive and transmit the GPS time signal.



1-Watt Transmitter - Internal Antenna

1-WATT TRANSMITTERS - EXTERNAL ANTENNA

For more expansive buildings or small campuses up to 250,000 sq. ft. on average, 1-Watt Transmitters can be equipped and configured for an external roof-mount antenna to achieve greater signal coverage. The 1-Watt External Antenna Transmitter can be installed by end users or also by a Primex Certified Installer.

TRANSMITTERS - EXTERNAL ANTENNA	
Part Number	Description
14000-E*	1-Watt Transmitter

* Requires selection of antenna mounting kit

- Pole/Wall Mount (item #ANT-P5)
- Non-Penetrating Mast (item #ANT-NP5)



1-Watt Transmitter - External Antenna

TRANSMITTER SPECIFICATIONS:

All Transmitters

- 1-Watt maximum transmission (at transmitter)
- 72MHz frequency range
- 16 channels available (pre-programmed prior to shipping)
- Daylight Saving Time bypass switch
- Time zone adjustment switch (pre-programmed on 14000-E prior to shipping)
- LCD display for time, date, and signal verification
- Dimensions: 16.0"L x 12.0"W x 1.9"D (40.6cm x 30.5cm x 4.8cm)
- Power Supply:
 - Input: 120 VAC, 50/60 Hz, 0.4 Amp
 - Output: 9 VDC, 2.0 Amp (6 ft. cord, 1.83m)
- Operating Range: 32°- 158°F (0° - 70°C)

Transmitter with Internal Antenna (refer to Figure 1)

- Antenna: 46.0" Long (116.8cm)
- Weight: 7.75 lbs. (3.5kg)

Transmitter with External Antenna

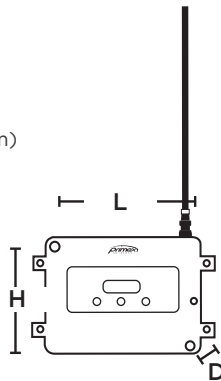
- Cabling: 100' (30.48m) between transmitter and antenna provided
- FCC Part 90 Accepted
- IC RSS-119 Accepted
- Weight: 9 lbs. (4.1kg)

Satellite Transmitter

- Requires installation of a Master Transmitter in order to receive and transmit the GPS time signal
- Antenna: 46.0" Long (116.8cm)
- Weight: 7.75 lbs. (3.5kg)

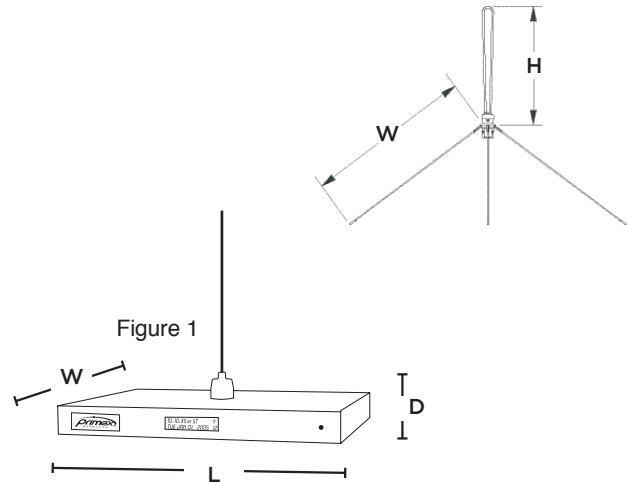
RECEIVER SWITCH SPECIFICATIONS:

- Included with Satellite Transmitter
- 5' (1.52m) RS232 cable connects Receiver Switch to the Satellite Transmitter
- Dimensions: 5.75"L x 4.25"H x 1.25"D (14.6cm x 10.8cm x 3.16cm)
- Antenna: 12.5" Long (31.75cm)
- Weight: 0.75 lb. (.34kg)
- Power Supply:
 - Input: 120 VAC, 50/60 Hz, 0.4 Amp
 - Output: 9 VDC, 0.25 Amp (6 ft. cord, 1.83m)
- Operating Range: -32°- 158°F (-36° - 70°C)



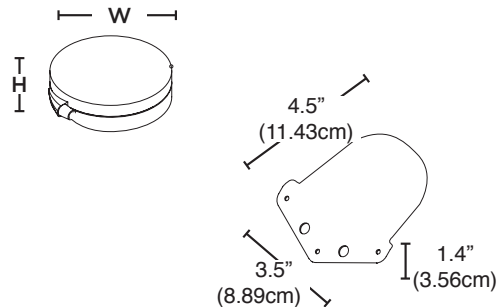
GROUND PLANE ANTENNA SPECIFICATIONS:

- For use with 14000-E
- Dimensions: 29.4"H x 41.5"W (74.7cm x 105.41cm)
- Lightning Protection: Direct Ground



GPS RECEIVER SPECIFICATIONS:

- Included with Primary Transmitter
- 10' (3.05m) cable. 50, 100, 150 and 200 foot (15.24m, 30.48m, 45.72m and 60.69m) extensions available
- Mounting bracket and hardware included for rooftop or window installation
- Dimensions: 2.5"W x .75"H (6.35cm x 1.91cm)
- Mounting Bracket: 3.5"W x 1.4"H x 4.5"D (8.89cm x 3.56cm x 11.43cm)
- Weight: 0.75 lb. (.34kg)
- Operating Range: -32°- 158°F (-30° - 70°C)



To Learn More:
 Call 800.537.0464
 Email: info@primexinc.com

primexinc.com